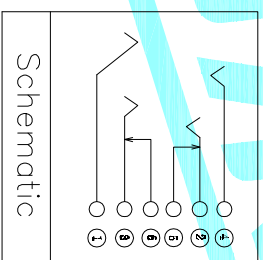
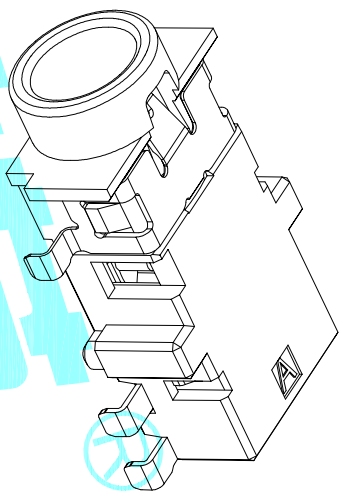


RECOMMENDED PCB LAYOUT TOP VIEW
(GENERAL TOLERANCE ± 0.05)



Rating: 0.5A 30V DC
 Contact Resistance: 100 m Ω Max.
 Operating temperature: -20 $^{\circ}$ C ~ 70 $^{\circ}$ C
 Operating force: 3-20N
 Operating Life: 5,000 cycles

ITEM	PART NAME	TER.NO.	QTY.	MATERIAL	FINISHING	REMARK
③	Housing	—	1	THERMOPLASTIC	Black	—
②	Shell	—	1	SUS	Plating Nickel	—
①	Terminal	—	2	Phosphor bronze	Plating silver	—

APPROVALS		DATE	TITLE:	
DRAWN	J.X.Zhang	2013/11/11	PHONE JACKES	
CHECKED			ELECTRONICS CO.,LTD	
APPROVALS			PJ-399	

ECN NO.	REV.	DATE.	DESCRIPTION.	CHANGE.	CHECK.	APPRO.	TOLERANCES ARE	ANGLE	UNIT:	SCALE:	PROJ.	SHEET
	A		NEW				30~0.15 10~0.20 5~0.10 ~5	± 0.30 ± 0.20 ± 0.15 ± 0.10	$\pm 2^{\circ}$	mm	1:1	1 OF 1