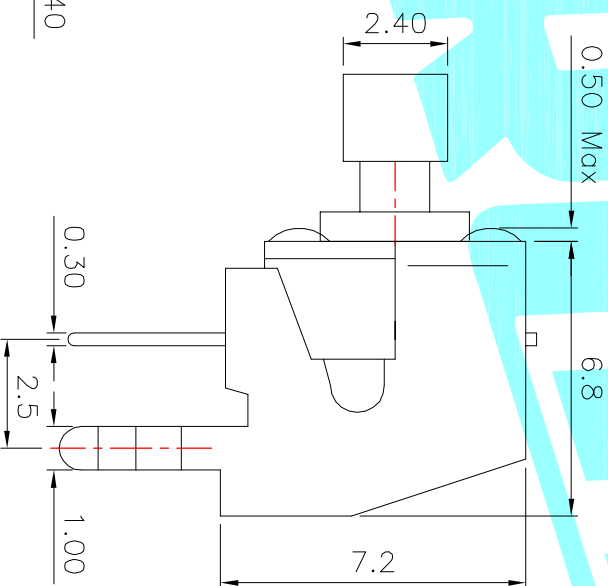
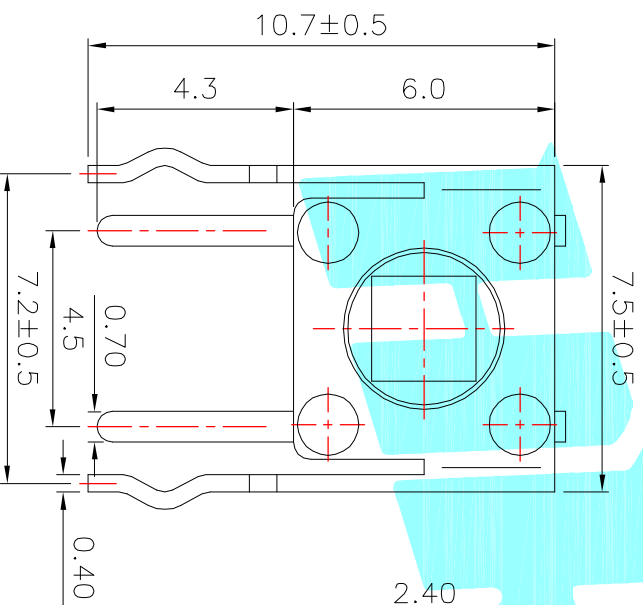
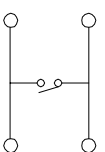


PCB layout(Pattern side)



NO.2	
PART NO	vigor
1	90±30
2	130±30
3	180±30
4	250±30
5	350±50

NO.3	
PART NO	MATERIAL/QTY
S	SUS/1PC
C	C5210/1PC
D	SUS/2PCS
F	C5210/2PCS



Circuit Diagram

NO.4-NO.5	
PART NO	NOTE
01~99	SERIAL NUMBER

ITEM	PART NAME	TER'NO.	QTY.	MATERIAL	FINISHING	REMARK
⑤	Terminal	—	4	Brass(0.30)	Plating silver	—
④	Contact	—	1	F.Ag/SUS	—	—
③	Base	—	1	Nylon	Black	—
②	Cover	—	1	SPCC	Plating Nickel	—
①	Keystroke	—	1	PA46	Black	—

APPROVALS		DATE	
DRAWN	xu qi feng	DATE	2014.12.04



ELECTRONICS CO.,LTD

CHECKED		TITLE:	
APPROVALS		TACT SWITCHS	

APPROVALS		PART NO.	
TOLERANCES ARE	30~12.5 ±0.30 10~30 ±0.20 5~10 ±0.15 ~5 ±0.10	ANGLE	±2°

ECN NO.	REV.	DATE.	DESCRIPTION.	CHANGE.	CHECK.	APPRO.
	A		NEW			

SCALE:	1:1	PROJ:	SHEET
			1 OF 1