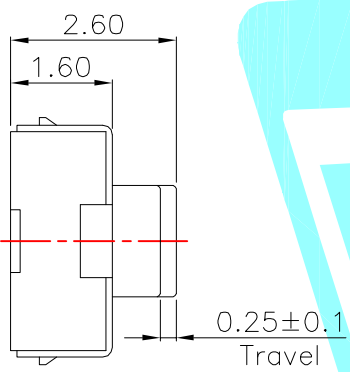
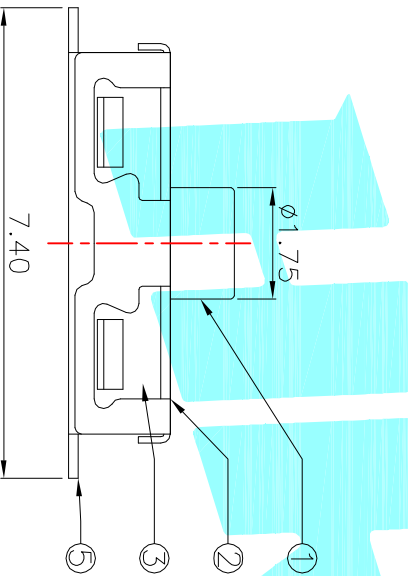


PCB Layout (Pattern Side)



NO.1

| PART NO | vigor |
|---------|--------|
| 1 | 90±30 |
| 2 | 130±30 |
| 3 | 180±30 |
| 4 | 250±30 |
| 5 | 350±50 |

NO.3-NO.4

| PART NO | NOTE |
|---------|---------------|
| 01~99 | SERIAL NUMBER |

NO.2

| PART NO | MATERIAL/QTY |
|---------|--------------|
| S | SUS/1PC |
| D | SUS/2PCS |

| ITEM | PART NAME | TER'NO. | QTY. | MATERIAL | FINISHING | REMARK |
|------|-----------|---------|------|-----------------|----------------|--------|
| ⑤ | Terminal | — | 2 | Phosphor Bronze | Plating silver | — |
| ④ | Contact | — | 2 | F.Ag/SUS | Plating silver | — |
| ③ | Base | — | 1 | Nylon | Black | — |
| ② | Cover | — | 1 | SUS | Natural | — |
| ① | Keystroke | — | 1 | Silica gel | Blue | — |

APPROVALS

DRAWN J.X.Zhang 2013/6/30

DATE

CHECKED

TITLE: TACT SWITCHS

APPROVALS

PART NO. K2-1111SP-ADDW-00

TOLERANCES ARE

| 30~12.5 | ±0.30 | ANGLE | UNIT: mm | SCALE: 1:1 | PROJ: |
|---------|-------|-------|-------------|------------|--------------|
| 10~30 | ±0.20 | | | | |
| 5~10 | ±0.15 | | | | |
| ~5 | ±0.10 | ±2' | DRAWING NO. | | SHEET 1 OF 1 |

| ECON NO. | REV. | DATE. | DESCRIPTION. |
|----------|------|-------|--------------|
| | A | | NEW |

| CHANGE. | CHECK. | APPRO. |
|---------|--------|--------|
| | | |



OKHRO ELECTRONICS CO., LTD