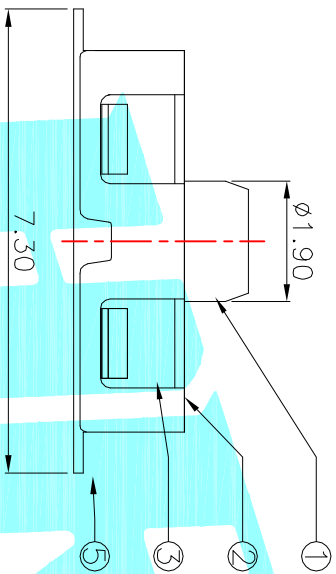
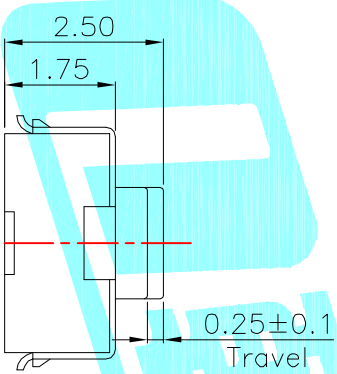


Circuit diagram

PCB Layout (Pattern Side)



- Notes:
- 1.Rating: 12V DC 50ma
 - 2.Contact resistance: 100mΩ Max
 - 3.Insulation resistance: 100MΩ 250vac for 1Min
 - 4.Dielectric strength: 250V AC(50/60hz) for 1Min
 - 5.Life test:100,000 Cycles
 - 6.Travel: 0.25±0.1mm

NO.1		
PART NO	vigor	
1	90±.30	
2	130±.30	
3	180±.30	
4	250±.30	
5	350±.50	

NO.3-NO.4		
PART NO	NOTE	SERIAL NUMBER
01~99		

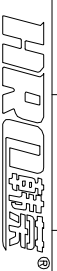
NO.2		
PART NO	MATERIAL/QTY	
S	SUS /1PC	
D	SUS/2PCS	

ITEM	PART NAME	TER'NO.	QTY.	MATERIAL	FINISHING	REMARK
⑤	Terminal	—	2	Phosphor Bronze	Plating silver	—
④	Contact	—	1	SUS	Plating silver	—
③	Base	—	1	Nylon	Black	—
②	Cover	—	1	SUS	Natural	—
①	Keystroke	—	1	Silica gel	Black	—

APPROVALS		DATE	TITLE:
DRAWN	JKUN.LU	2016/6/30	TACT SWITCHS

APPROVALS		PART NO.	SCALE:	PROJ.:
CHECKED		K2-1111SQ-ADDW-□□	1:1	④
TOLERANCES ARE		UNIT: mm	DRAWING NO.	SHEET 1 OF 1
30~12.5	+0.30	ANGLE		
10~30	+0.20	±2'		
5~10	+0.15			
~5	+0.10			

ECN NO.	REV.	DATE.	DESCRIPTION.	CHANGE.	CHECK.	APPRO.
	A		NEW			



OKHRO ELECTRONICS CO., LTD