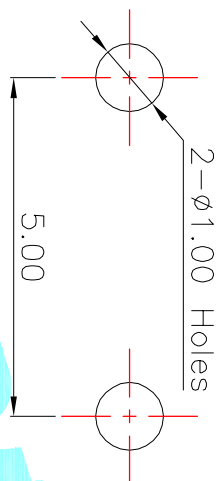
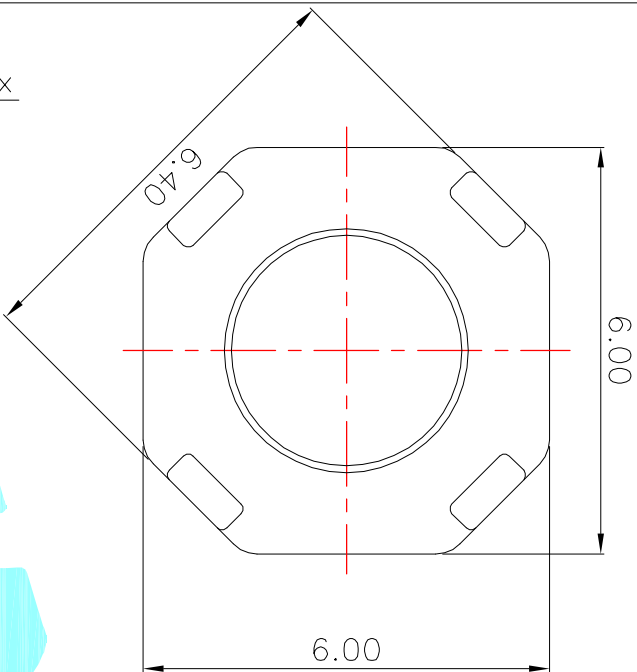
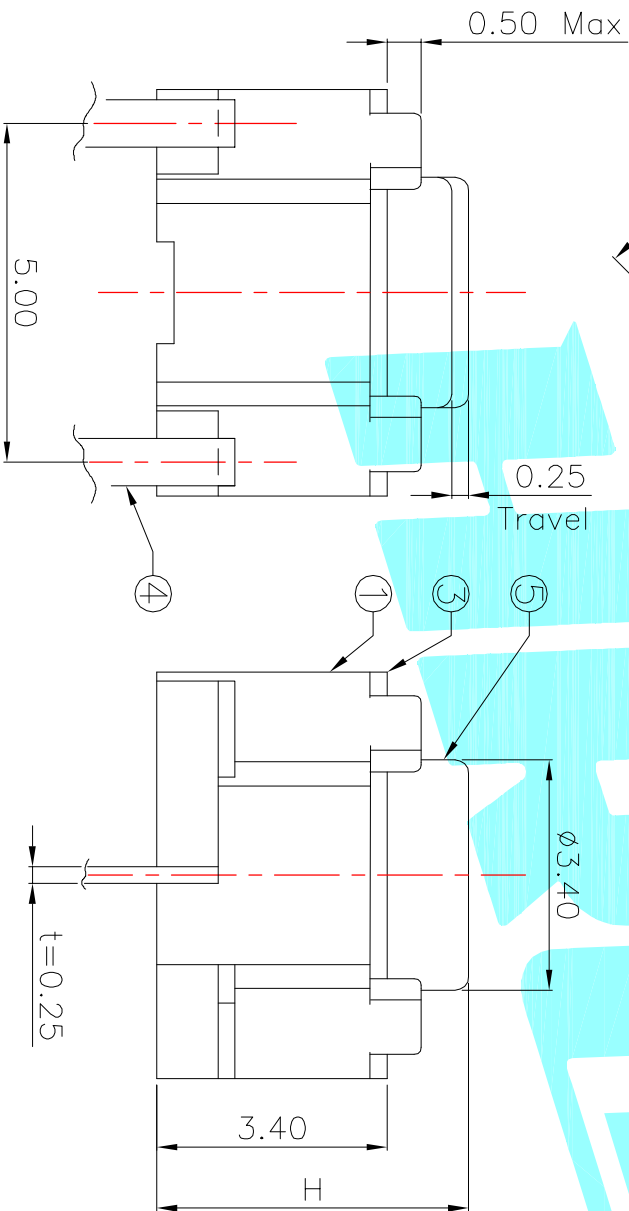
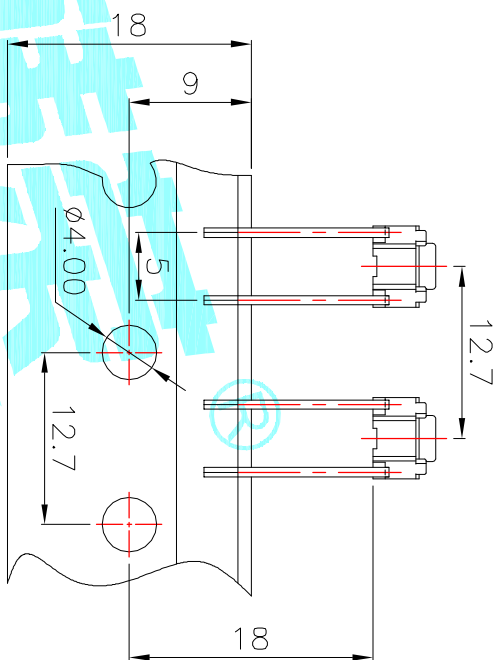




Circuit Diagram



PCB Layout(Pattern Side)



NO.1	
PART NO	H
A	4.3
C	5.0

NO.2	
PART NO	vigor
1	90±30
2	130±30
3	180±30
4	250±30
5	350±50

NO.3	
PART NO	MATERIAL/QTY
S	SUS/1PC
C	C5210/1PC
D	SUS/2PCS
F	C5210/2PCS

NO.4-NO.5	
PART NO	NOTE
01~99	SERIAL NUMBER

ITEM	PART NAME	TER'NO.	QTY.	MATERIAL	FINISHING	REMARK
⑤	Knob	---	1	Nylon	White	---
④	Cover	---	1	Brass	Natural	---
③	Terminal	---	2	Copper	Plating silver	---
②	Contact	---	1	F.Ag/C5210	Plating silver	---
①	Base	---	1	Nylon	Black	---

APPROVALS		DATE
DRAWN	J.X.Zhang	2013/8/26

TITLE: TACT SWITCHS

PART NO. K2-1818DP-□□□□-□□

SCALE: 1:1

PROJ:

ECN NO.	REV.	DATE.	DESCRIPTION.	CHANGE.	CHECK.	APPRO.
---	A	---	NEW	---	---	---

TOLERANCES ARE		ANGLE	UNIT:	DRAWING NO.	SHEET
30~12.7	±0.30	±2'	mm	---	1 OF 1
10~30	±0.20				
5~10	±0.15				
~5	±0.10				