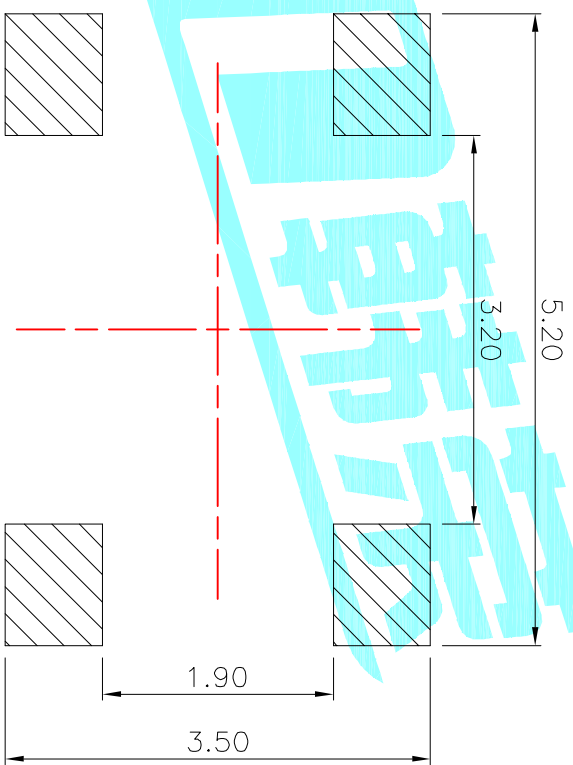
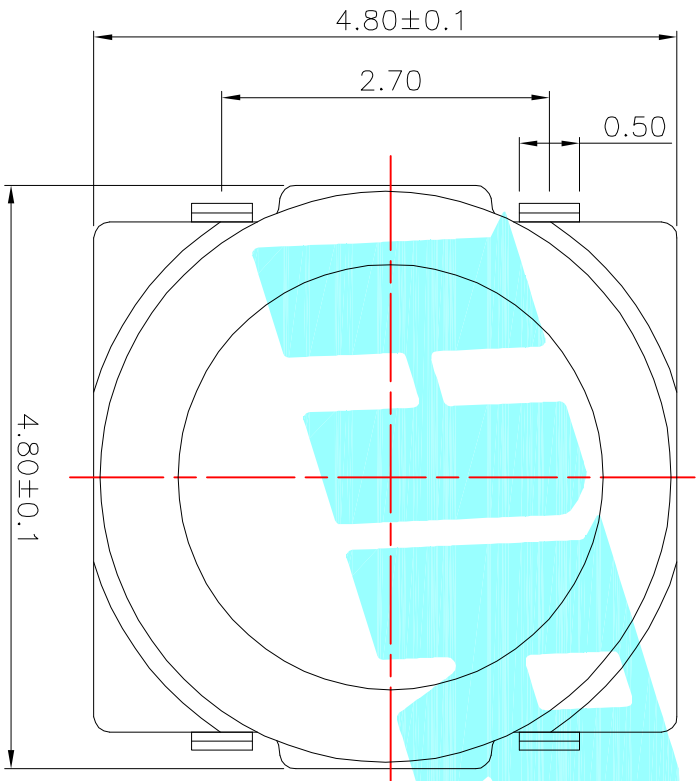


Circuit Diagram



Note:
Travel: 0.20±0.1mm

PCB Layout (Pattern Side)

NO.1	
PART NO	vigor
1	90±30
2	130±30
3	180±30
4	250±30
5	350±50

NO.2-NO.3	
PART NO	NOTE
01~99	SERIAL NUMBER

ITEM	PART NAME	TER'NO.	QTY.	MATERIAL	FINISHING	REMARK
④	Dust cover	—	1	KAPTON FILM	Yellow	—
③	Terminal	—	4	Phosphor Bronze	Plating silver	—
②	Contact	—	1	F.Ag/SUS	Plating silver	—
①	Base	—	1	LCP	Black	—

APPROVALS		DATE
DRAWN	J.X.Zhang	2013/7/17

ECN NO.	REV.	DATE.	DESCRIPTION.	CHANGE.	CHECK.	APPRO.
	A		NEW			

APPROVALS		TITLE:	PART NO.	SCALE:	PROJ.
CHECKED		TACT SWITCHS	K2-1829UR-BOSSW-□□	1:1	□□
TOLERANCES ARE		UNIT: mm	DRAWING NO.		SHEET 1 OF 1
30~12.5	±0.30	ANGLE			
10~30	±0.20				
5~10	±0.15				
~5	±0.10				



ELECTRONICS CO.,LTD