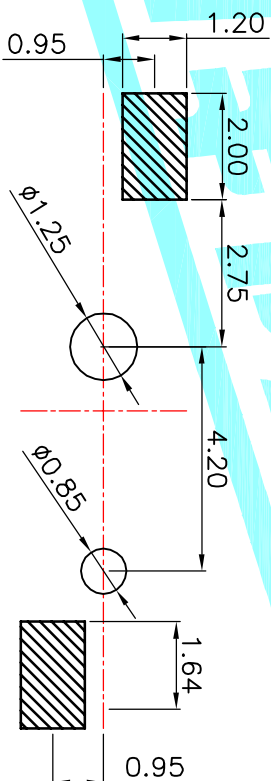
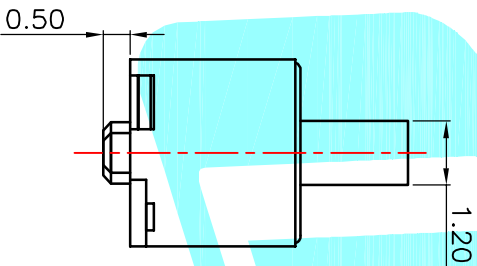
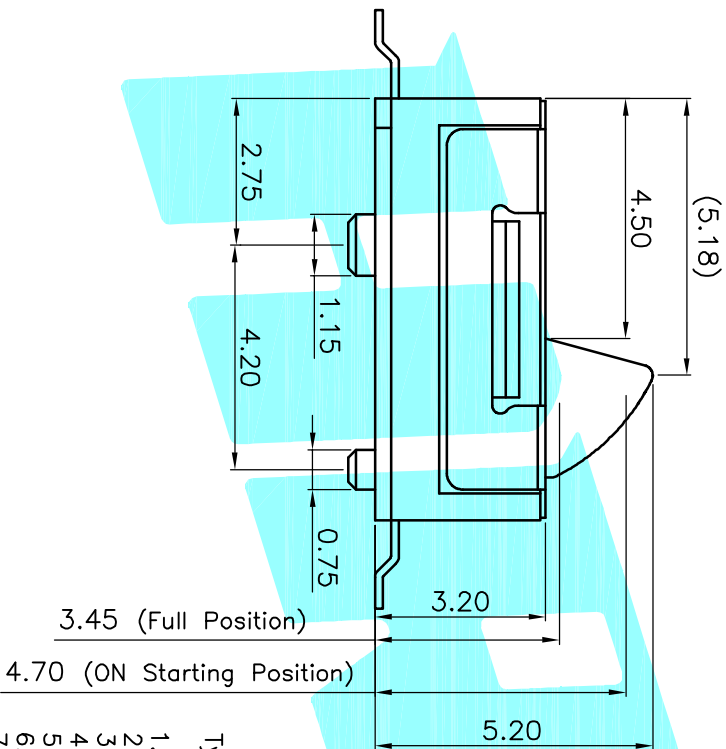
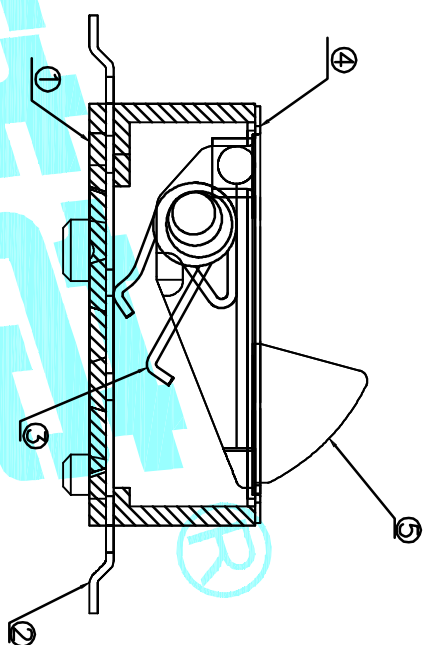


Circuit Diagram



PCB Layout(Pattern side)

Typical Specifications

1. Rating : DC 12V 50mA
2. Contact Resistance:  $\leq 100m\Omega$
3. Insulation Resistance:  $\geq 100m\Omega$  DC500V
4. Operating Temperature Range:  $-25^{\circ}C+80^{\circ}C$
5. Ambient Humidity Used:  $\leq 85\%RH$
6. Operating Force :  $30gf \pm 20gf$ ,
7. Life : 100,000 Cycles

ITEM	PART NAME	TER'NO.	QTY.	MATERIAL	FINISHING	REMARK
⑤	Knob	—	1	NYLON	Black	—
④	Cover	—	1	SUS	Ct	—
③	Contact Spring	—	1	Phosphor Bronze	Ag Plated	—
②	Terminal	—	4	Phosphor Bronze	Ag Plated	—
①	Base	—	1	LCP	Black	—

APPROVALS		DATE	TITLE:	
DRAWN	JKUN.LLU	2015.03.17	DETECTOR SWITCHS	
CHECKED			ELECTRONICS CO.,LTD	
APPROVALS			OKHRO	

ECN NO.	REV.	DATE.	DESCRIPTION.	CHANGE.	CHECK.	APPRO.	TOLERANCES ARE	ANGLE	UNIT:	SCALE:	PROJ.	SHEET
	A		NEW				30 <sup>±0.15</sup>	±2°	mm	1:1	PROJ. 1	1 OF 1
							10 <sup>±0.20</sup>					
							5 <sup>±0.10</sup>					
							~ 5					