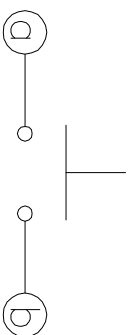
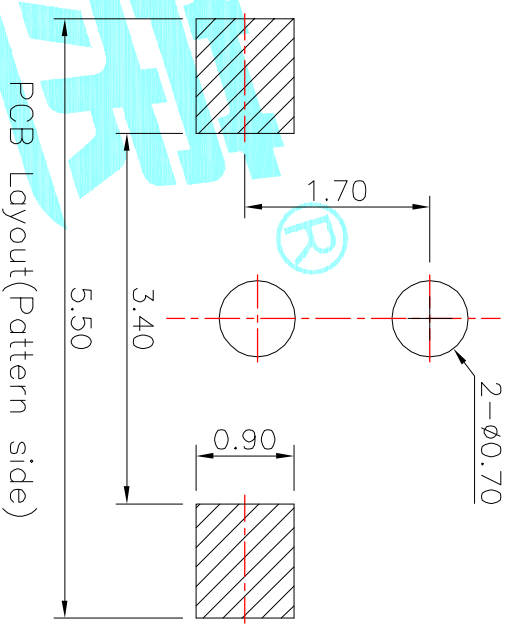
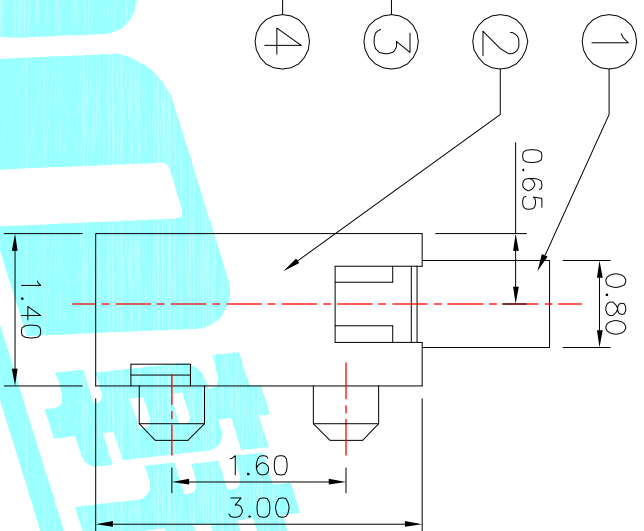
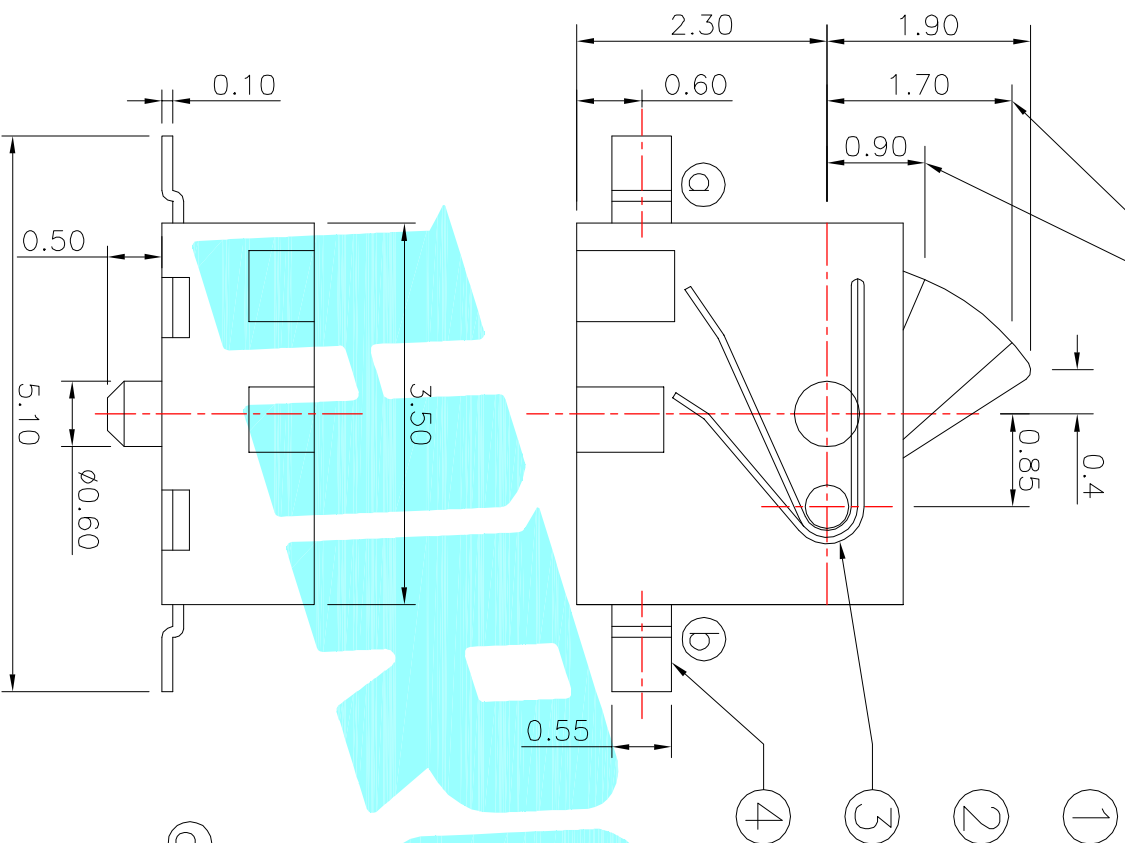


ON Starting Position
Total Travel Position



Circuit Diagram

NOTE:
Rating: DC 30V 0.1A
Operating Force: 20 ± 10 gf
Lifetime: 100,000 Cycles

ITEM	PART NAME	TER'NO.	QTY.	MATERIAL	FINISHING	REMARK
④	Terminal	—	2	Phosphor Bronze	Ag Plated	
③	Contact Spring	—	1	Be Alloy	Ag Plated	
②	Housing	—	1	LCP	Black	
①	Slider	—	1	PA46	Black	

APPROVALS		DATE	TITLE:
DRAWN	J.X.Zhang	2013/8/23	DETECTOR SWITCHS
CHECKED			
APPROVALS			

TOLERANCES ARE		ANGLE	UNIT:	SCALE:	PROJ:
30~12.5	± 0.30		mm	1:1	①
10~30	± 0.20				
5~10	± 0.15	$\pm 2'$	DRAWING NO.		
~5	± 0.10				

ECN NO.	REV.	DATE.	DESCRIPTION.	CHANGE.	CHECK.	APPRO.
	A		NEW			



ELECTRONICS CO.,LTD

K5-1634SA-02

SHEET 1 OF 1