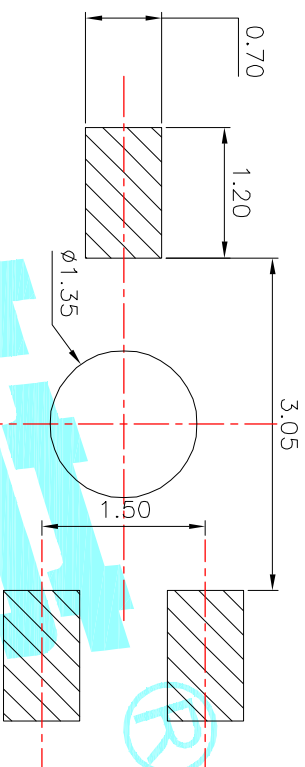


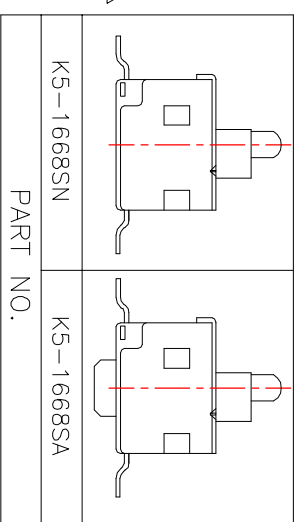
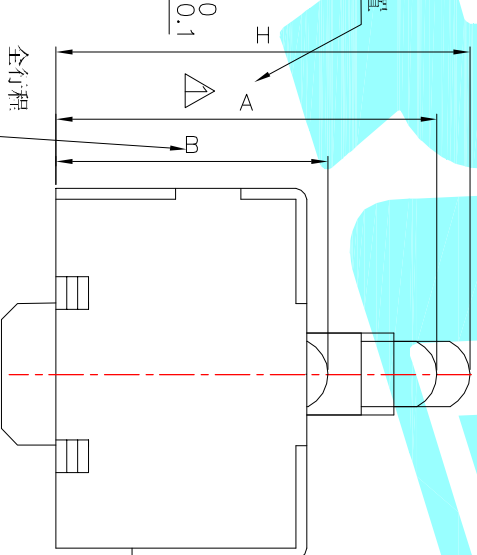
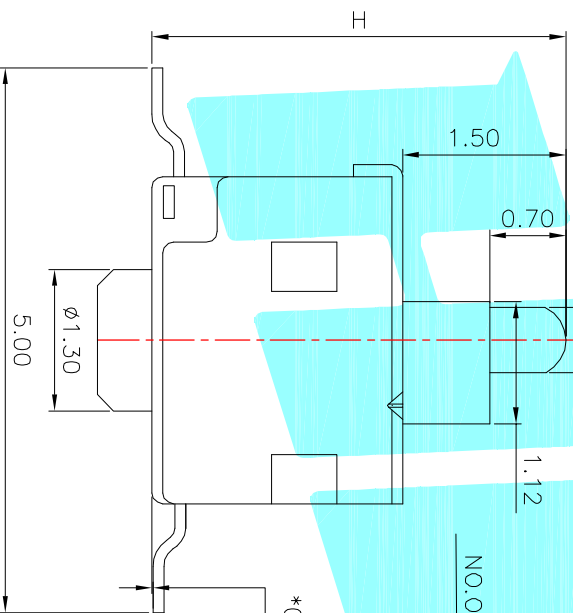
Circuit Diagram



PCB Layout (Pattern side)

NOTE:
 Rating: DC 30V 0.1A
 Operating Force: $20 \pm 10\text{gf}$
 Lifetime: 50,000 Cycles
 Packaging: 2800pcs/Reel

NO.	Slider height(H)	ON start position(A)	Total travel(B)
01	3.8	3.5	2.5
02	4.1	3.8	2.9
03	4.8	4.5	3.6
04	5.2	4.9	4.0
05	5.5	5.2	4.3



ITEM	PART NAME	TER'NO.	QTY.	MATERIAL	FINISHING	REMARK
⑤	Contact Spring	—	1	Be Alloy	Ag Plated	—
④	Terminal	—	3	Brass	Ag Plated	—
③	Housing	—	1	PA46	Black	—
②	Cover	—	1	Brass	Ag Plated	—
①	Slider	—	1	PA46	Black	—

APPROVALS
 DRAWN JKUN.LU DATE 2015.5.11
 ELECTRONICS CO.,LTD

ECN NO.	REV.	DATE.	DESCRIPTION.	CHANGE.	CHECK.	APPRO.
	B		NEW			
	A					

CHECKED	TOLERANCES ARE	ANGLE	UNIT:	SCALE:	PROJ:	SHEET
	30~12.5 ±0.30 10~30 ±0.20 5~10 ±0.15 ~5 ±0.10	±2°	mm	1:1	—	1 of 1