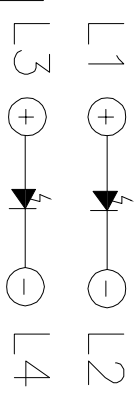
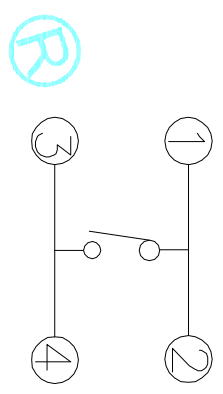
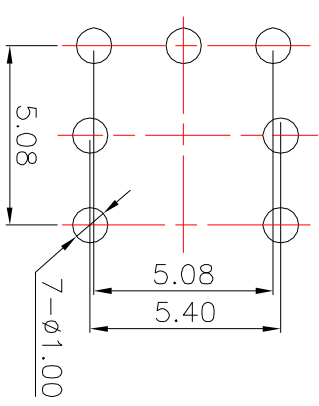


LED colour(LED颜色)	Part No. (料号)
White(白色)	K6-6164D01
Red(红色)	K6-6164D02
Blue(蓝色)	K6-6164D03
Green(绿色)	K6-6164D04



Circuit Diagram



PCBLayout(Pattern Side)

ITEM	PART NAME	TERN.O.	QTY.	MATERIAL	FINISHING	REMARK
②	Terminal	—	3	Phosphor bronze	Au Plating	—
①	Housing	—	1	Nylon	Black	—

APPROVALS	DATE
DRAWN	J.X.Zhong
CHECKED	2013/11/11

ECN NO.	REV.	DATE.	DESCRIPTION.	CHANGE.	CHECK.	APPRO.
—	A	—	NEW	—	—	—

TOLERANCES ARE	ANGLE	UNIT: mm	SCALE: 1:1	PROJ.	SHEET 1 OF 1
30~12.5 ±0.30 10~30 ±0.20 5~10 ±0.15 ~5 ±0.10	±2°	mm	1:1	PROJ.	SHEET 1 OF 1

TITLE: LED Tact Switch
PART NO. K6-6164D



ELECTRONICS CO.,LTD