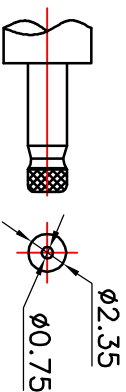
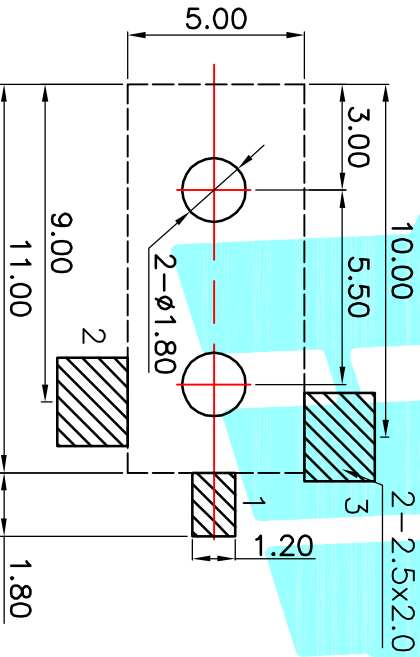


P.C.B LAYOUT(Copper-side view)



DC MATE PLUG

Rating:0.5A 30V DC
 Contact Resistance:100 mΩ Max.
 Operating temperature:-20℃~70℃
 Operating force:3-20N
 Operating Life:5,000cycles

②	Terminal	3	Phosphor bronze	Au Plating		
①	Housing	1	Nylon	Black		
ITEM	PART NAME	TERN.O.	QTY.	MATERIAL	FINISHING	REMARK
APPROVALS		DATE				
DRAWN	J.X.Zhang	2013/11/11				

OKHRO
 ELECTRONICS CO.,LTD

CHECKED		TITLE:		PHONE JACKES	
APPROVALS		PART NO.		DC-011B	
TOLERANCES ARE		30 ^{±0.15}	±0.30	ANGLE	
10 ^{±0.10}	5 ^{±0.10}	±0.20	±0.15	UNIT:	mm
~5	~5	±Z	±Z	SCALE:	1:1
ECN NO.		REV.		DATE.	
NEW		A			
DESCRIPTION.		CHANGE.		CHECK.	
APPRO.		APPRO.		APPRO.	