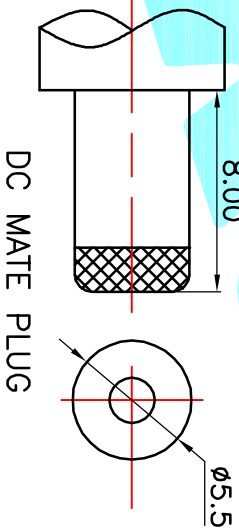
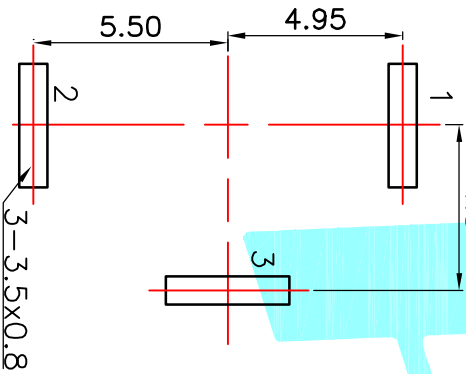
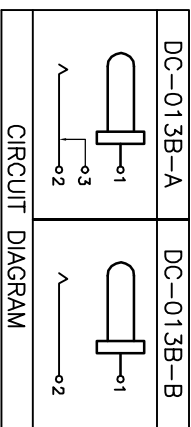


P.C.B LAYOUT(Copper-side view)



Rating:0.5A 30V DC
 Contact Resistance:100 mΩ Max.
 Operating temperature:-20℃~70℃
 Operating force:3~20N
 Operating Life:5,000cycles

Model No.	1	2	3
PIN	$\phi 2.0$	$\phi 2.35$	$\phi 2.5$



② Terminal	3	Phosphor bronze	Au Plating
① Housing	1	Nylon	Black
ITEM PART NAME	TERN.O.	QTY.	MATERIAL FINISHING
APPROVALS		DATE	REMARK
DRAWN	J.X.Zhang	2013/11/11	
CHECKED			
APPROVALS		TITLE:	DC JACKES
TOLERANCES ARE		PART NO.	DC-013B
30 [±] 0.15	±0.30	SCALE:	1:1
10 [±] 0.30	±0.20	UNIT:	mm
5 [±] 0.10	±0.15	DRAWING NO.	
~ 5	±0.10	±Z	



ECN NO.	REV.	DATE.	DESCRIPTION.	CHANGE.	CHECK.	APPRO.
	A		NEW			
DRAWING NO. SHEET 1 OF 1						