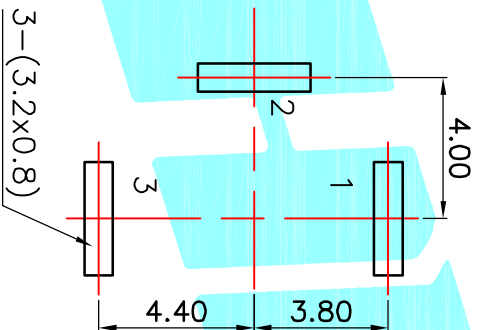


P.C.B LAYOUT(copper-sided view)



Model No.	1	2	3
PIN	∅2.0	∅2.35	∅2.5

Model No.	DC-025BM-A	DC-025BM-B
Schematic		

Rating:0.5A 30V DC  
 Contact Resistance:100 mΩ Max.  
 Operating temperature:-20℃~70℃  
 Operating force:3-20N  
 Operating Life:5,000cycles

ECN NO.	REV.	DATE.	DESCRIPTION.	CHANGE.	CHECK.	APPRO.
	A		NEW			

DRAWN	J.X.Zhang	DATE	2013/11/11
CHECKED		TITLE:	PHONE JACKS
APPROVALS		PART NO.	DC-025BM
TOLERANCES ARE			
30 <sup>±0.15</sup>	±0.30	ANGLE	
10 <sup>±0.10</sup>	±0.20	UNIT: mm	SCALE: 1:1
5 <sup>±0.10</sup>	±0.15	±Z'	DRAWING NO.
~ 5	±0.10		SHEET 1 OF 1

**OKHRO**  
 ELECTRONICS CO.,LTD