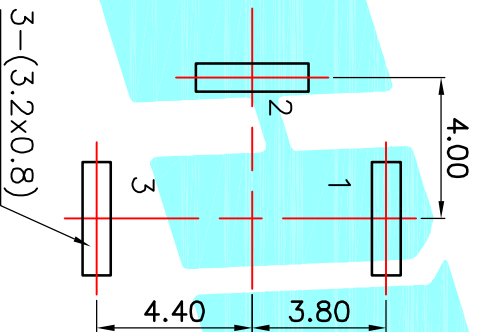


P.C.B LAYOUT(copper-sided view)



Model No.	DC-025	DC-025M
A	$\phi 8.0$	M8xP0.75

Model No.	DC-025M-A	DC-025M-B
Schematic		

Model No.	1	2	3
PIN	$\phi 2.0$	$\phi 2.35$	$\phi 2.5$

Rating:0.5A 30V DC
 Contact Resistance:100 m Ω Max.
 Operating temperature:-20 $^{\circ}$ C~70 $^{\circ}$ C
 Operating force:3-20N
 Operating Life:5,000cycles

ECN NO.	REV.	DATE.	DESCRIPTION.	CHANGE.	CHECK.	APPRO.
	A		NEW			
DRAWN J.X.Zhang 2013/11/11 CHECKED APPROVALS TOLERANCES ARE 30 μ m以上 ± 0.30 ANGLE 10 \sim 30 ± 0.20 UNIT: mm 5 \sim 10 ± 0.15 SCALE: 1:1 ~ 5 ± 0.10 $\pm Z$ DRAWING NO.						
TITLE: PHONE JACKES			PART NO. DC-025			
DRAWN: J.X.Zhang			DATE: 2013/11/11			
CHECKED:			TITLE: PHONE JACKES			
APPROVALS:			PART NO. DC-025			
TOLERANCES ARE:			SCALE: 1:1			
DRAWING NO.:			SHEET 1 OF 1			

OKHRO
 ELECTRONICS CO.,LTD