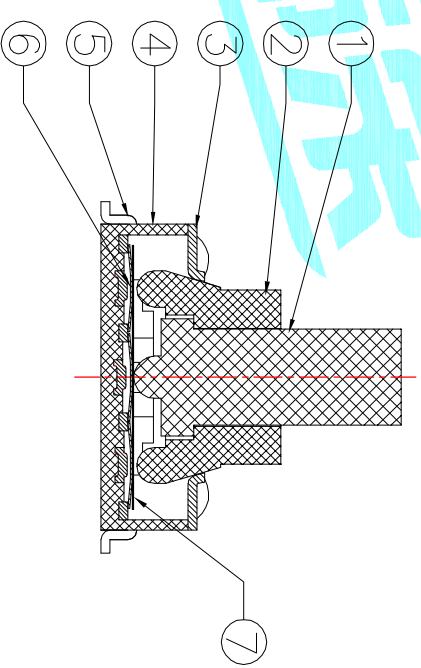
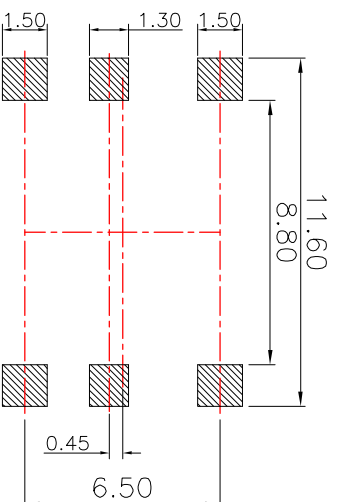


Circuit Diagram



NOTE:
 Operating Force:
 4-direction 160 ± 35 gf
 center push 300 ± 35 gf
 Travel: 4-direction 5±2°
 center push 0.20±0.1mm

PCB Layout(Pattern Side)



| ITEM | PART NAME | TER.NO. | QTY. | MATERIAL | FINISHING | REMARK |
|------|-------------|---------|------|-------------|----------------|----------|
| ⑦ | Dust cover | — | 1 | Kapton film | Yellow | — |
| ⑥ | Contact | — | 6 | F.Ag/SUS | — | Circular |
| ⑤ | Terminal | — | 8 | Brass(0.3t) | Plating silver | — |
| ④ | Base | — | 1 | LCP | Black | — |
| ③ | Cover | — | 1 | SUS | Plating Sn | — |
| ② | Axle sleeve | — | 1 | LCP | Off-white | — |
| ① | Knob | — | 1 | LCP | Black | — |

| APPROVALS | | DATE | TITLE | |
|-----------|-----------|----------|-------------------------|--|
| DRAWN | J.X.Zhang | 2013/8/1 | MULTIFUNCTIONAL SWITCHS | |
| CHECKED | | | ELECTRONICS CO.,LTD | |
| APPROVALS | | | PART NO. K1-1506SN-01 | |

| ECN NO. | REV. | DATE. | DESCRIPTION. | CHANGE. | CHECK. | APPRO. | TOLERANCES ARE | ANGLE | UNIT: | SCALE: | PROJ: | SHEET |
|---------|------|-------|--------------|---------|--------|--------|----------------|-------|-------|--------|----------|--------|
| | A | | NEW | | | | 30~12.1 ± | ±0.30 | mm | 1:1 | PROJ: 01 | 1 OF 1 |
| | | | | | | | 10~30 | ±0.20 | | | | |
| | | | | | | | 5~10 | ±0.15 | | | | |
| | | | | | | | ~5 | ±0.10 | | | | |