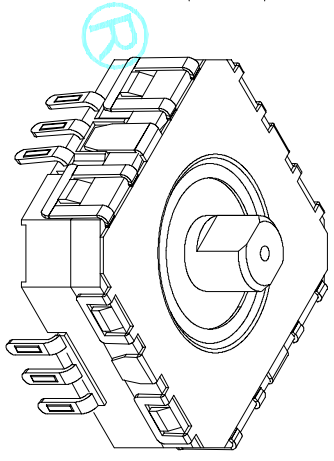


Terminal	①	②	③	④	⑤	⑥
Direction	↓	↓	↓	↓	↓	↓
	●	●	●	●	●	●
	→	→	→	→	→	→

Circuit Diagram



NOTE:  
Operating Force: 50gf—180gf Max

ITEM	PART NAME	TER'NO.	QTY.	MATERIAL	FINISHING	REMARK
⑩	Terminal	—	6	H65(0.3t)	Plating silver	—
⑨	PCB	—	1	FR4	—	—
⑧	Base	—	1	PPA	Black	—
⑦	Movable pin 2	—	1	LCP	White	—
⑥	Contact	—	2	Brass(0.10t)	Plating silver	—
⑤	Movable pin 1	—	1	LCP	White	—
④	Cover 2	—	1	FR52	Black	—
③	Rocker	—	1	FR52	Black	—
②	spring	—	1	SUS	—	—
①	Cover 1	—	1	SUS	White	—

APPROVALS		DATE
DRAWN	JKUNLU	2015/6/30

APPROVALS		TITLE:	PART NO.	SCALE:	PROJ:
CHECKED		MULTIFUNCTIONAL SWITCHS	K1-1539DA-01	1:1	OKHRO
APPROVALS					
TOLERANCES ARE	30~12.5 ±	±0.30	ANGLE	UNIT: mm	DRAWING NO.
	10~30	±0.20	±2'		
	5~10	±0.15			
	~5	±0.10			

ECN NO.	REV.	DATE.	DESCRIPTION.	CHANGE.	CHECK.	APPRO.
	A		NEW			